

ITEM NO.	DESCRIPTION	Inventory #	QTY.
1	VMS PUMP MODEL S33V W/ MOTOR		2
2	CHECK VALVE WAFER STYLE 2 1/2"	43-022-0024	2
3	BUTTERFLY VALVE 150# LUG 2-1/2"	42-447-0024	4
4	SYSTEM PIPING 2 1/2"	S708-3113-401	2
5	SUCTION HEADER 4"	S728-3432-300	1
6	DISCHARGE HEADER 4"	S728-3412-300	1
7	SYSTEM POWER AND CONTROL PANEL		1
8	VARIABLE FREQUENCY DRIVE		2
9	BLIND FLANGE CLASS 150 4"	24-100-0040	2
10	SYSTEM SKID	S701-0050-300	1

NOTES:
 1. ALL DIMENSIONS SUBJECT TO CHANGE WITHOUT NOTICE
 2. PURGE VALVE DRAIN LINE TO BE PIPED TO FLOOR DRAIN IN PROXIMITY OF BOOSTER SYSTEM (BY OTHERS)
 3. SEE DATA SHEET FOR L/H OR R/H HEADERS ENTRY/EXIT CONNECTION

SYNCRIFLO PACKAGED PUMPING SYSTEMS COMPLY WITH OSHA REGULATIONS AND FEDERAL REGULATION 29 CFR 1910.399. THE ENTIRE PACKAGED SYSTEM IS THIRD PARTY CERTIFIED.

PROPRIETARY DRAWING
 THIS CONFIDENTIAL DOCUMENT IS THE PROPERTY OF
SyncroFlo
 NORCROSS, GEORGIA
 NOT TO BE DUPLICATED WITHOUT WRITTEN PERMISSION OR USED IN ANY WAY DETRIMENTAL TO THE COMPANY

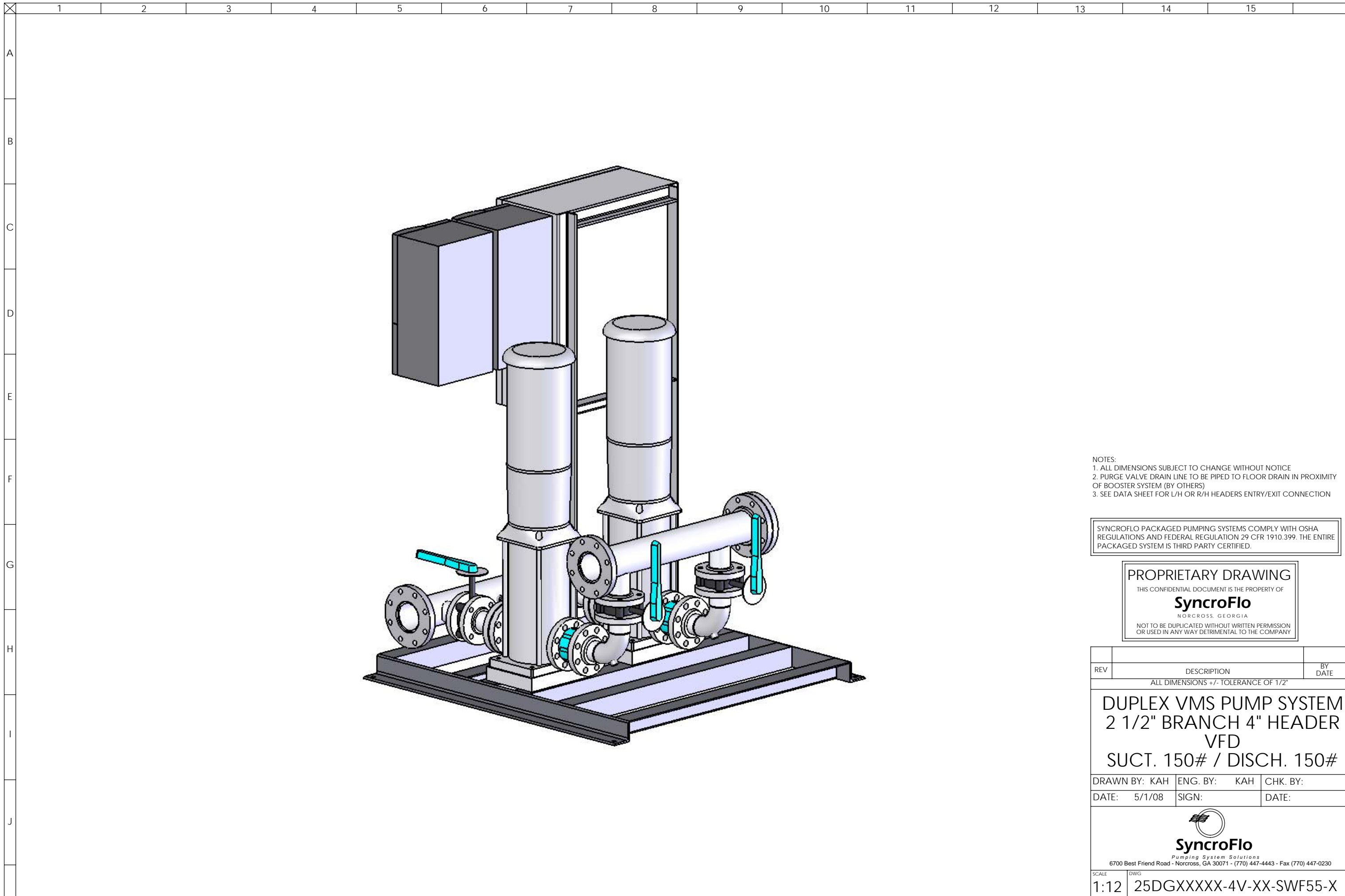
REV	DESCRIPTION	BY	DATE
ALL DIMENSIONS +/- TOLERANCE OF 1/2"			

DUPLEX VMS PUMP SYSTEM
2 1/2" BRANCH 4" HEADER
VFD
SUCT. 150#/DISCH. 150#

DRAWN BY: KAH	ENG. BY: KAH	CHK. BY:
DATE: 5/1/08	SIGN:	DATE:


SyncroFlo
 Pumping System Solutions
 6700 Best Friend Road - Norcross, GA 30071 - (770) 447-4443 - Fax (770) 447-0230

SCALE	DWG
1:20	25DGXXXXX-4V-XX-SWF55-X



- NOTES:
1. ALL DIMENSIONS SUBJECT TO CHANGE WITHOUT NOTICE
 2. PURGE VALVE DRAIN LINE TO BE PIPED TO FLOOR DRAIN IN PROXIMITY OF BOOSTER SYSTEM (BY OTHERS)
 3. SEE DATA SHEET FOR L/H OR R/H HEADERS ENTRY/EXIT CONNECTION

SYNCRIFOLO PACKAGED PUMPING SYSTEMS COMPLY WITH OSHA REGULATIONS AND FEDERAL REGULATION 29 CFR 1910.399. THE ENTIRE PACKAGED SYSTEM IS THIRD PARTY CERTIFIED.

PROPRIETARY DRAWING
 THIS CONFIDENTIAL DOCUMENT IS THE PROPERTY OF
SyncroFlo
 NORCROSS, GEORGIA
 NOT TO BE DUPLICATED WITHOUT WRITTEN PERMISSION
 OR USED IN ANY WAY DETRIMENTAL TO THE COMPANY

REV	DESCRIPTION	BY DATE
ALL DIMENSIONS +/- TOLERANCE OF 1/2"		

DUPLEX VMS PUMP SYSTEM
2 1/2" BRANCH 4" HEADER
VFD
SUCT. 150# / DISCH. 150#

DRAWN BY: KAH	ENG. BY: KAH	CHK. BY:
DATE: 5/1/08	SIGN:	DATE:



SCALE	DWG
1:12	25DGXXXXX-4V-XX-SWF55-X