

ITEM NO.	DESCRIPTION	Inventory #	QTY.
1	VMS PUMP MODEL S33V W/ MOTOR		3
2	CHECK VALVE WAFER STYLE 2 1/2"	43-022-0024	3
3	BUTTERFLY VALVE 150# LUG 2-1/2"	42-447-0024	3
4	BUTTERFLY VALVE 150# LUG 2-1/2"	42-447-1024	3
5	SYSTEM PIPING 2 1/2"	S708-3113-401	3
6	SUCTION HEADER 4"	S728-3433-300	1
7	DISCHARGE HEADER 4"	S728-3413-300	1
8	SYSTEM POWER AND CONTROL PANEL		1
9	VARIABLE FREQUENCY DRIVE		3
10	BLIND FLANGE CLASS 150 4"	24-100-0040	2
11	SYSTEM SKID	S701-0065-300	1

NOTES:  
 1. ALL DIMENSIONS SUBJECT TO CHANGE WITHOUT NOTICE  
 2. PURGE VALVE DRAIN LINE TO BE PIPED TO FLOOR DRAIN IN PROXIMITY OF BOOSTER SYSTEM (BY OTHERS)  
 3. SEE DATA SHEET FOR L/H OR R/H HEADERS ENTRY/EXIT CONNECTION

SYNCRIFLO PACKAGED PUMPING SYSTEMS COMPLY WITH OSHA REGULATIONS AND FEDERAL REGULATION 29 CFR 1910.399. THE ENTIRE PACKAGED SYSTEM IS THIRD PARTY CERTIFIED.

**PROPRIETARY DRAWING**  
 THIS CONFIDENTIAL DOCUMENT IS THE PROPERTY OF  
**SyncroFlo**  
 NORCROSS, GEORGIA  
 NOT TO BE DUPLICATED WITHOUT WRITTEN PERMISSION OR USED IN ANY WAY DETRIMENTAL TO THE COMPANY

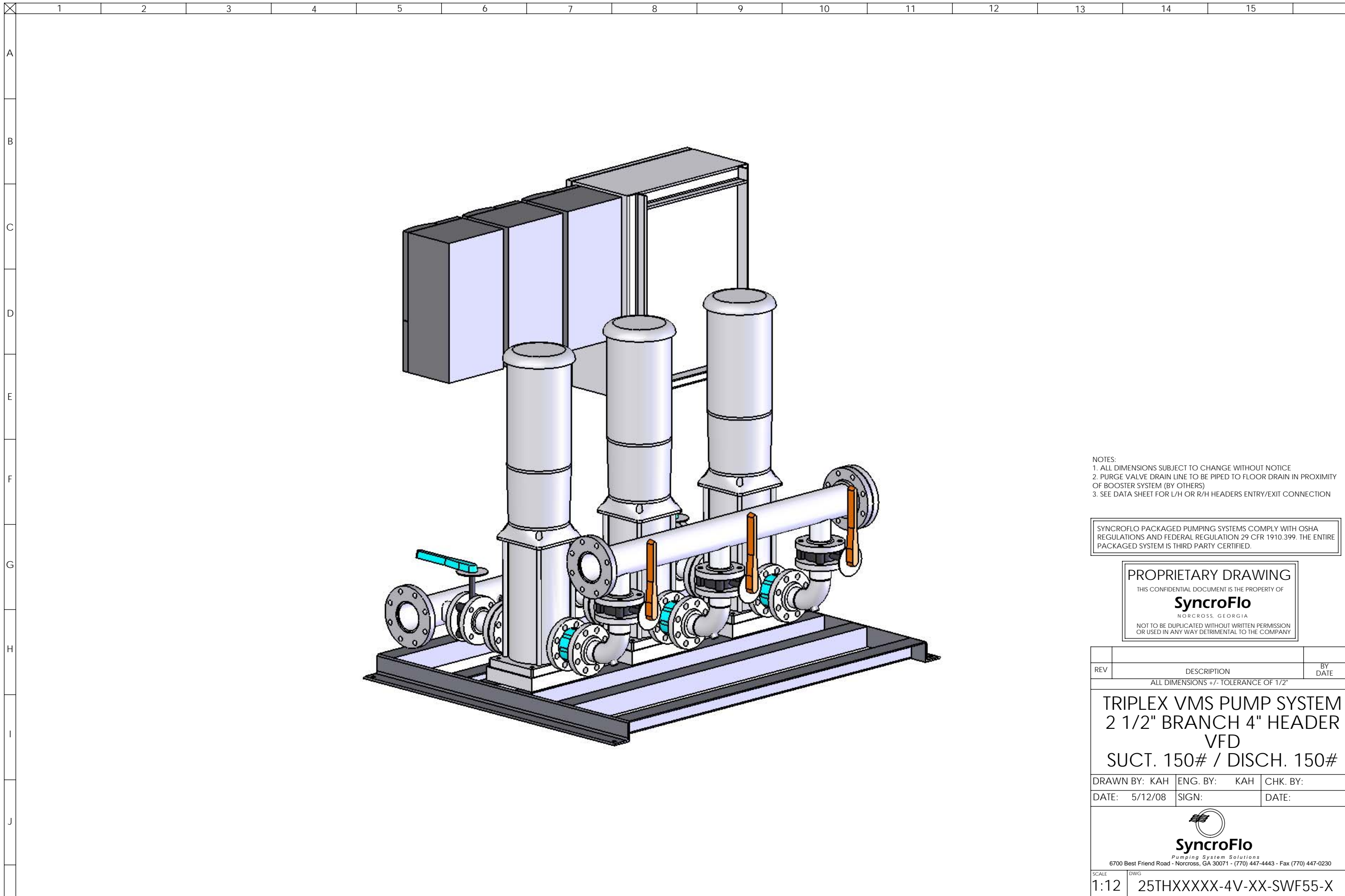
REV	DESCRIPTION	BY	DATE
ALL DIMENSIONS +/- TOLERANCE OF 1/2"			

**TRIPLEX VMS PUMP SYSTEM**  
**2 1/2" BRANCH 4" HEADER**  
**VFD**  
**SUCT. 150#/DISCH. 150#**

DRAWN BY: KAH	ENG. BY: KAH	CHK. BY:
DATE: 5/12/08	SIGN:	DATE:

**SyncroFlo**  
 Pumping System Solutions  
 6700 Best Friend Road - Norcross, GA 30071 - (770) 447-4443 - Fax (770) 447-0230

SCALE	DWG
1:20	25THXXXXX-4V-XX-SWF55-X



- NOTES:
1. ALL DIMENSIONS SUBJECT TO CHANGE WITHOUT NOTICE
  2. PURGE VALVE DRAIN LINE TO BE PIPED TO FLOOR DRAIN IN PROXIMITY OF BOOSTER SYSTEM (BY OTHERS)
  3. SEE DATA SHEET FOR L/H OR R/H HEADERS ENTRY/EXIT CONNECTION

SYNCRIFO PACKAGED PUMPING SYSTEMS COMPLY WITH OSHA REGULATIONS AND FEDERAL REGULATION 29 CFR 1910.399. THE ENTIRE PACKAGED SYSTEM IS THIRD PARTY CERTIFIED.

**PROPRIETARY DRAWING**  
 THIS CONFIDENTIAL DOCUMENT IS THE PROPERTY OF  
**SyncroFlo**  
 NORCROSS, GEORGIA  
 NOT TO BE DUPLICATED WITHOUT WRITTEN PERMISSION  
 OR USED IN ANY WAY DETRIMENTAL TO THE COMPANY

REV	DESCRIPTION	BY DATE
ALL DIMENSIONS +/- TOLERANCE OF 1/2"		

**TRIPLEX VMS PUMP SYSTEM**  
**2 1/2" BRANCH 4" HEADER**  
**VFD**  
**SUCT. 150# / DISCH. 150#**

DRAWN BY: KAH	ENG. BY: KAH	CHK. BY:
DATE: 5/12/08	SIGN:	DATE:



SCALE	DWG
1:12	25THXXXXX-4V-XX-SWF55-X