



**SyncroFlo, Inc.**

BULLETIN 28-185.1  
EFFECTIVE: SEPT. 1, 1982  
SUPERSEDES: JULY 1, 1975

**ELECTRICAL TEMPERATURE PROBE  
AND PURGE VALVE**

**OPERATION**

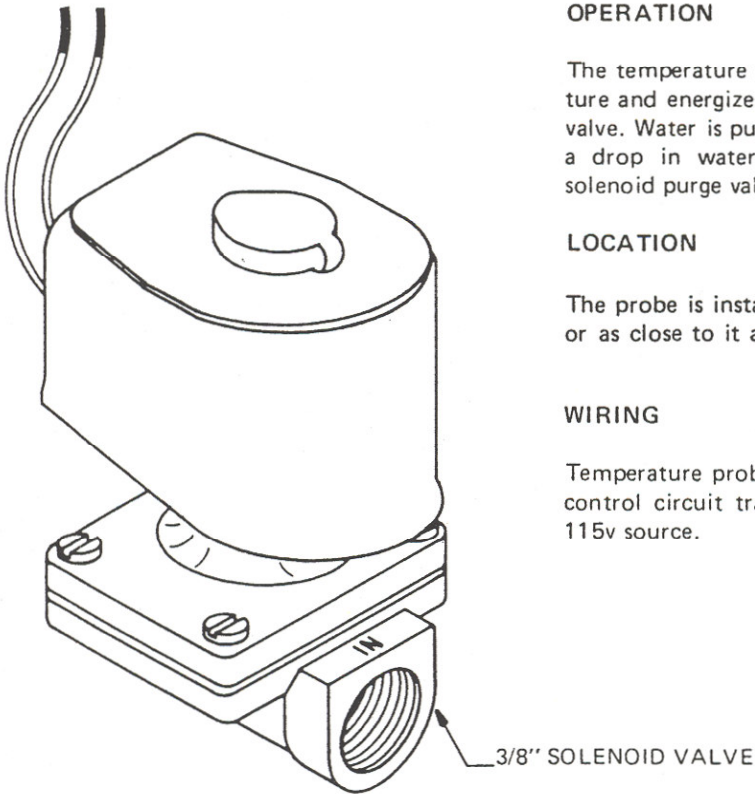
The temperature probe senses a rise in water temperature and energizes the 3/8" normally closed solenoid valve. Water is purged to drain. The probe then senses a drop in water temperature and de-energizes the solenoid purge valve.

**LOCATION**

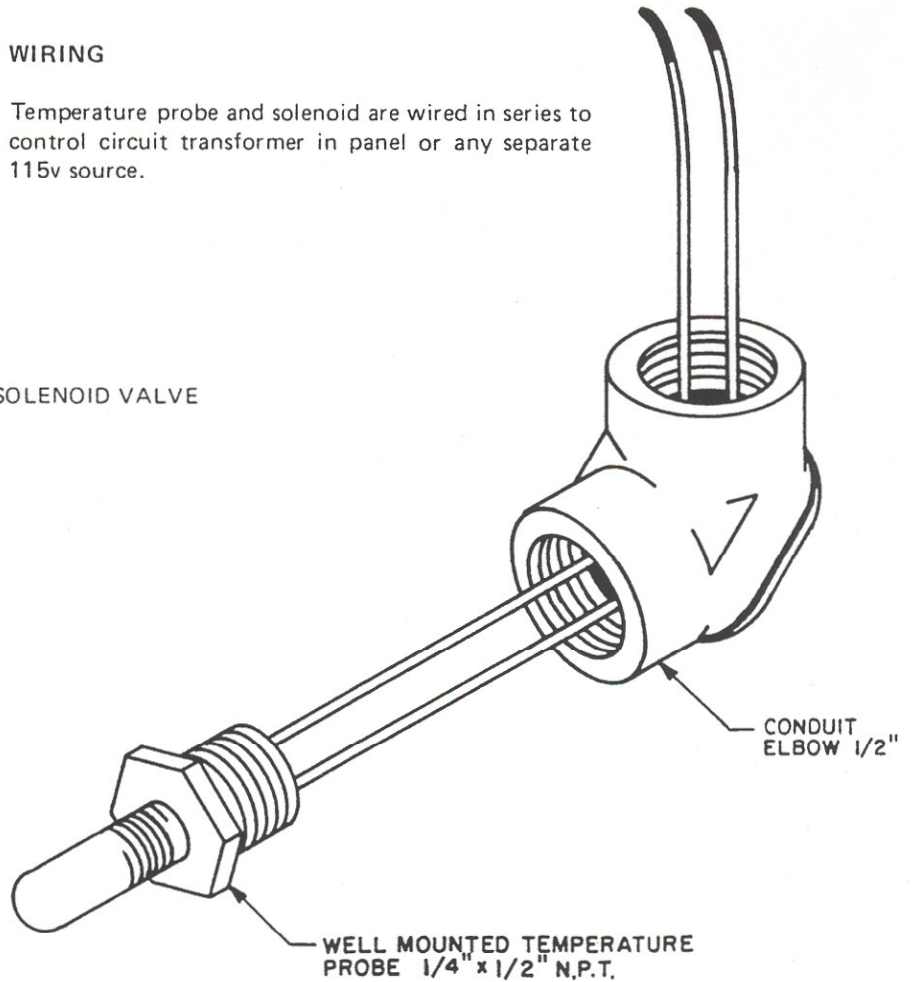
The probe is installed in the pump discharge housing or as close to it as possible.

**WIRING**

Temperature probe and solenoid are wired in series to control circuit transformer in panel or any separate 115v source.



3/8" SOLENOID VALVE



CONDUIT ELBOW 1/2"

WELL MOUNTED TEMPERATURE PROBE 1/4" x 1/2" N.P.T.