



SyncroFlo, Inc.

BULLETIN:	28-190
EFFECTIVE:	05-09-88
SUPERSEDES:	01-26-88

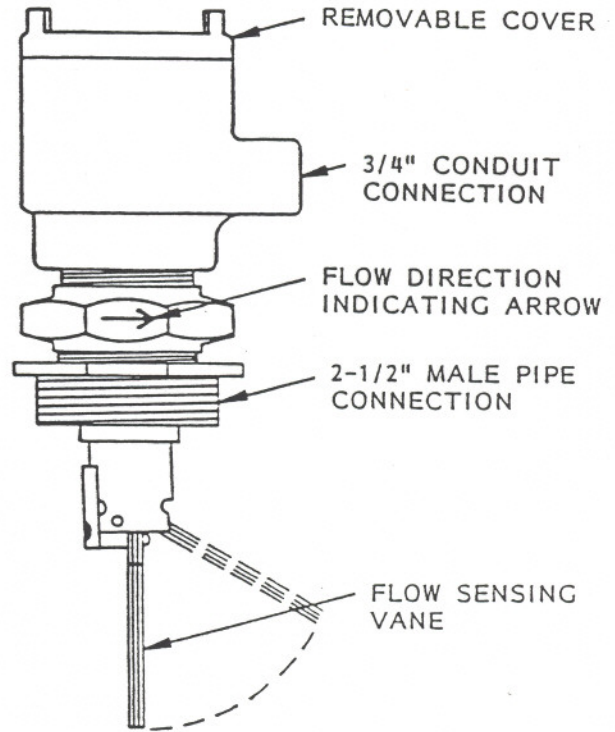
MAXISTORE FLOW SWITCH

OPERATION AND BENEFIT

The MaxiStore is a vane actuated flow switch that senses no-flow conditions. It is used on SyncroFlo pumping systems equipped with HydroCumulator tanks.

Since the MaxiStore allows a system to shut down only at no-flow, the following benefits are realized:

1. System shutdown at high flow rates are eliminated.
2. System off-time is maximized.
3. Stored water in a SyncroFlo HydroCumulator tank is maximized.
4. The MaxiStore senses no-flow directly, thus eliminating the need for remote pressure sensors.



MATERIAL SPECIFICATIONS

The MaxiStore flow switch is U.L. Listed and C.S.A. approved. It is explosion proof, weather proof, and 2000 psig rated. It has an aluminum housing, a one piece milled and bored brass body, a stainless steel vane, and 10 amp/250v rated SPDT contacts.

PIPE SIZE (in.)	FLOW SWITCH POINT (gpm)
3	7
4	12
5	18
6	26

INSTALLATION

The MaxiStore must be installed within 5° vertical for proper operation. The index arrow must point in the direction of flow.

WIRE COLOR CODE

- White or Black -- Common
- Green or Blue -- N.O. Contact When No-Flow Exists
- Yellow or Red -- N.C. Contact When No-Flow Exists