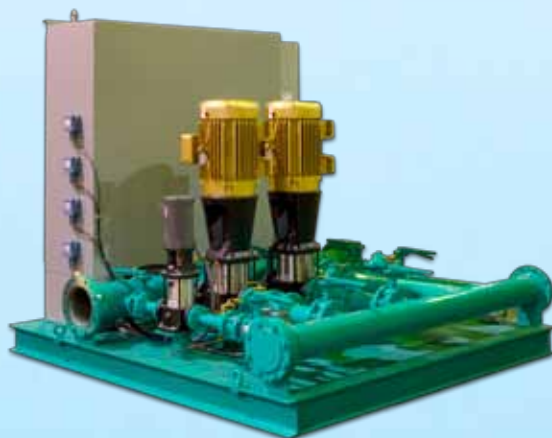


Irrigation

Irrigation is very important at many locations. Whether you use it for aesthetic reasons or your sales depend on green grass, it is necessary that it is reliable and it works. Most systems today are not reliable and on many occasions fail. This is mainly due to a lack of knowledge by the installer or provider. Water conservation is also a problem when dealing with irrigation. Many irrigation systems use precious drinking water. Water that is in short supply.

Here at SyncroFlo we have innovated 2 solutions that will fit every need. The Eagle® line is specifically designed for golf courses and similar high-volume, large-area applications. The Gator® line is designed for commercial & residential turf irrigation purposes. Both of these solutions will be customized and adjusted to meet each every need. Change these sentences to: Also, SyncroFlo has pioneered new technologies that take water conservation to a new level. Our engineers have created an irrigation system that collects rain, pond and lake water and reuses it for irrigation. The EnviroHeart line of rainwater treatment and pumping packages is designed for plumbing applications in commercial buildings. With current situations of drought and with problems occurring with fresh water, environmental responsibility is key.



Eagle

The Eagle® line is specifically designed for golf courses and similar mission-critical turf irrigation applications.

Specifications:

- Up to 160 psi Discharge
- Up to 3600 gpm Total Flow
- Pumps Directly From Wet Well
- Variable Speed Drives

Popular options:

- Mechanical Filtration
- Lake Screen Pre-Filter
- Mag Meter Flow Measurement
- BACNET, SCADA and Other Communication Protocols

SyncroFlo designs with the operator and owner in mind. We understand that if our pumps fail, you fail. That's why we have honed our engineering practices past the point of perfection.

Some examples:

- Cast iron pump heads instead of steel. They cost a little more, but they are more durable and stable.
- We lay out our piping to maximize the pressure at the sprinkler heads.
- Our pump run switches are external to the operator interface. So you can operate the pumps even if it or the PLC are out of commission.
- We "unplug" the VFD when it is idle. This reduces the chance of crippling lightning damage by 99%.
- Any qualified technician can service our equipment. We will train and certify your favorite tech.



Gator

Gator® line is designed for more traditional commercial & residential turf irrigation purposes. We now make it in 3 levels of sophistication:

The Gator

The original is still the toughest constant-speed pump out there. If all you need is a reliable constant-speed work-horse, then that's all you need. But you're still entitled to the same precision engineering and reliability that comes standard in any Gator. Designed to your exact pumping specifications for flow and pressure conditions, this pumping system reacts to condition changes in a snap. The weather-resistant, powder-coated steel cabinet blends quietly into the landscape. And Gator systems are available with capacities from 30 to 250 GPM.

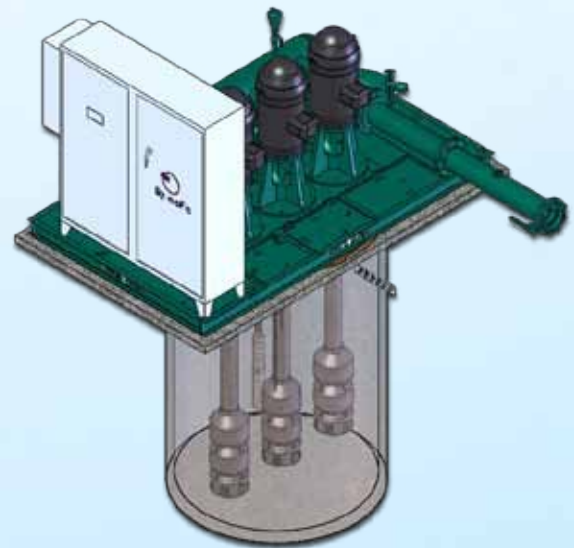
PropaGator VFD

A lot more Gator for just a little more green. PropaGator VFD pumping solution. Inside the lockable, weather protected, easy-access cabinet, you'll find an impressive variable speed pump with drive-integrated controls. With a flow range of 50 to 300 gpm, the PropaGator gives you all the flexibility you need without added features that aren't right for you. It's a leap ahead of constant speed systems for just a little gator step ahead in price.

PropaGator Pro

A full featured VFD system for the most demanding turf requirements. In the turf industry, there's no margin for irrigation error. That's why the PropaGator Pro pumps 50 to 600 gpm from a bulletproof cast iron pump with cast bronze impeller. It performs day after day—whether the days are 40 degrees or 100+ in the desert.

The flexibility and reliability of the PropaGator Pro are unmatched. And it's built with your mission-critical needs in mind. Alarms alert you to an irregularity in pressure, flow, power, or even the flow sensor. And if any problem should arise, the 14-gauge, powder-coated steel cabinet is designed for quick access so you can get up and running right away. Some turf irrigation situations are just tougher than others. That's why PropaGator Pro is, too.



CERTIFIED
NSF 61
COMPLIANT

ISO 9001-2008
CERTIFIED